

CCS Technical Documentation NKC-1X Series Transceivers

General Information



Table of Contents

	Page No
Product Selection	3
Hand portables	3
Desktop Option	4
Mobile Holder (MBC-6) Option	5
Product and Module List.....	6
Technical Specifications	7
General Specifications of Transceiver NKC-1X	7

List of Figures

	Page No
Fig 1 Handportable	3
Fig 2 Desktop option.....	4
Fig 3 Mobile Holder (MBC-6)	5

Product Selection

Hand portables

The NKC-1X is a TDMA single band (SB), 800 MHz and AMPS handportable telephone. This document describes the main characteristics of this phone.

Figure 1: Handportable



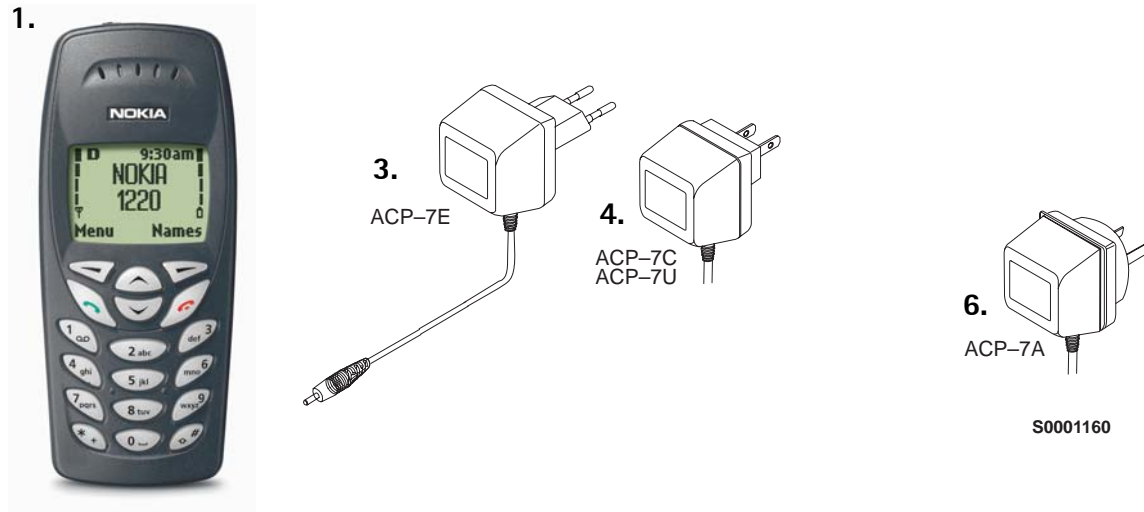
Table 1: Transceiver NKC-1X

Name:	Type Code:	Material Code:
Transceiver	(See Product Variants)	

Desktop Option

The desktop option allows the user to charge the phone from the mains.

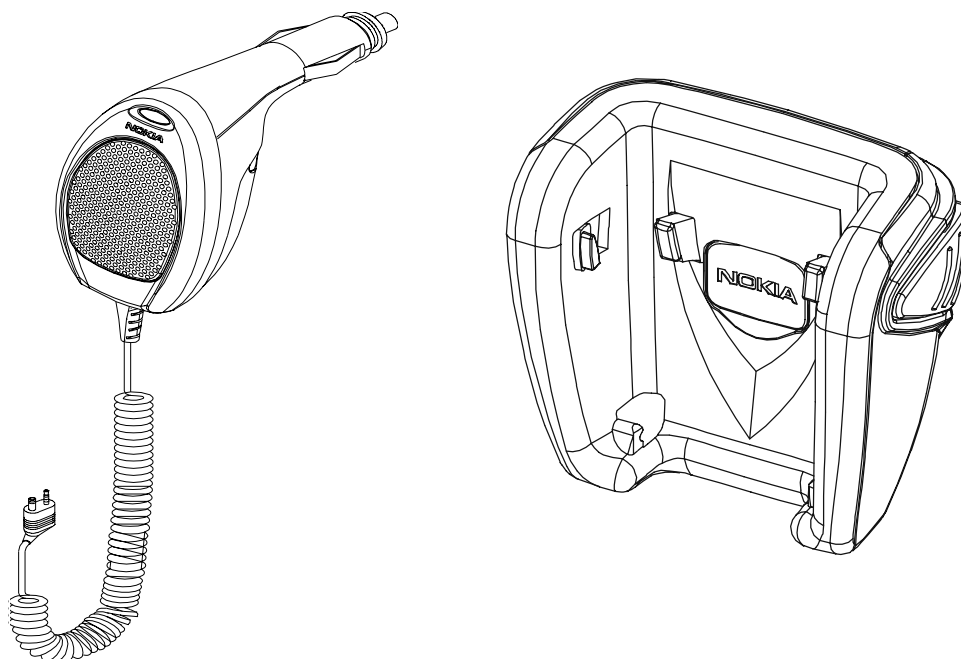
Figure 2: Desktop option



Item	Name:	Type Code:	Material Code:
1.	Transceiver (See Product Variants)		
3.	AC Travel Charger (Euro plug) 207-253 Vac	ACP-7E	0675144
4.	AC Travel Charger (US plug) 108-132 Vac	ACP-7U	0675143
	AC Travel Charger (US plug) 198-242 Vac	ACP-7C	0675158
6.	AC Travel Charger (Australia plug) 216-264 Vac	ACP-7A	0675148
	Travel Charger	ACP-12E	0675294
	Travel Charger	ACP-12X	0675296
	Travel Charger	ACP-12U	0675303
	Travel Charger	ACP-12UB	0675293
	Travel Charger	ACP-12G	0675295
	Travel Charger	ACP-12C	0675297
	Travel Charger	ACP-12A	0675300
	Travel Charger	ACP-12AR	0675298
	Performance Travel Charger Euro plug 90-264 Vac	ACP-8E	0675195
	Performance Travel Charger Korea plug 90-264 Vac	ACP-8K	0675199
	Performance Travel Charger UK plug 90-264 Vac	ACP-8X	0675197
	Performance Travel Charger US plug 90-264 Vac	ACP-8U	0675196
	Performance Travel Charger China plug 90-264 Vac	ACP-8C	0675211
	Performance Travel Charger Australia plug 90-264 Vac	ACP-8A	0675214

Mobile Holder (MBC-6) Option

Figure 3: Mobile Holder (MBC-6)



Item Name:	Type Code:	Material Code:
Mobile Holder	MBC-6	0650026
Transceiver (Not included, see Product Variants)		
Swivel Mount	HHS-9	0620037
Handsfree Microphone	HFM-8	0690016
Handsfree Cigarette Lighter Charger	PPH-1	0675182
CARK 125		0085179 (E&A) 0085193 (US) 0080381(US)

Product and Module List

Unit/Type:	Product Code:
Transceiver NKC-1X	See Product Variants
Battery Pack BMC-3 (NiMH) 900 mAh	0670324
Standard Battery BLC-2 (Li-ION) 850 mAh	0670343
AC Travel Charger ACP-7E (EURO) 207-253 Vac	0675144
AC Travel Charger ACP-7U (US) 108-132 Vac	0675143
AC Travel Charger ACP-7C (US) 198-242 Vac	0675158
AC Travel Charger ACP-7A (AUS) 216-264 Vac	0675148
ACP-12E Travel Charger	0675294
ACP-12X Travel Charger	0675296
ACP-12U Travel Charger	0675303
ACP-12UB Travel Charger	0675293
ACP-12G Travel Charger	0675295
ACP-12C Travel Charger	0675297
ACP-12A Travel Charger	0675300
ACP-12AR Travel Charger	0675298
Performance Travel Charger ACP-8E (EURO) 90-264 Vac	0675195
Performance Travel Charger ACP-8K (KOREA) 90-264 Vac	0675199
Performance Travel Charger ACP-8X (UK) 90-264 Vac	0675197
Performance Travel Charger ACP-8U (US) 90-264 Vac	0675196
Performance Travel Charger ACP-8C (CHINA) 90-264 Vac	0675211
Performance Travel Charger ACP-8A (AUS) 90-264 Vac	0675214
Headset HDE-2	0694075
Headset HDC-5	0694059
Loopset LPS-3	0630244
Battery Charging Stand DDC-1	0675243
Swivel Mount HHS-12	0620054
HF Microphone HFM-8	0690016
Plug & Play HF Cigarette Lighter Charger PPH-1	0675182
Cigarette Lighter Charger LCH-8	0675231
Cigarette Lighter Charger LCH-9	0675120
HDB-5 Boom Headset	0694107 0273495
CARK 125	0085179 (E&A) 0085193 (US) 0080381(US)

Technical Specifications

General Specifications of Transceiver NKC-1X

Parameter	Unit
Cellular System	TDMA800 + AMPS
RX frequency band	869.01 - 893.97 MHz
TX frequency band	824.01 - 848.97MHz
Output power	-5 - +28 dBm / 0.3 mW - 630 mW
Number of RF channels	832
Channel spacing	30 kHz

This page intentionally left blank